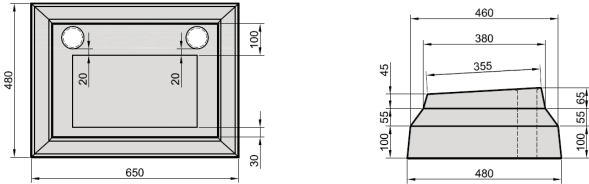
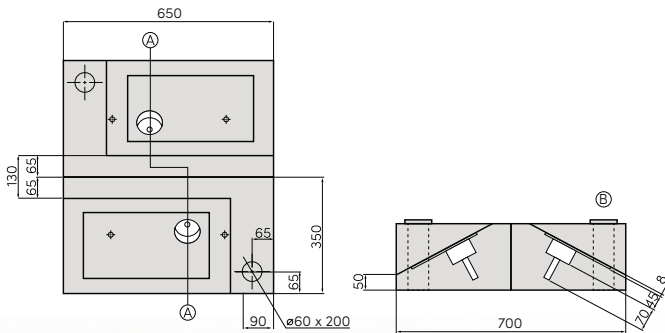


Plinth Designs

SECTIONS 1 - 5



SECTIONS 7 - 8



For more details please contact Council.

DIRECTIONS TO NARRABRI LAWN CEMETERY

- ↩ From the Narrabri Council Administration Building, turn left onto Denison Street
- ➔ Turn right into Tibbereena Street and follow it until you get to the intersection at the Narrabri Creek Bridge
- ↩ Turn left onto the bridge onto Dangar Street, follow the highway all the way out
- ➡ Drive straight through the first roundabout and take the second exit on the next roundabout onto Kamilaroi Hwy.

Narrabri Lawn Cemetery is located approximately 1km on your left

NARRABRI LAWN CEMETERY

Kamilaroi Highway, Narrabri, NSW, 2390

NARRABRI SHIRE COUNCIL

46 - 48 Maitland Street
P.O. Box 261, Narrabri

Phone (02) 6799 6866 Fax (02) 6799 6888
Email council@narrabri.nsw.gov.au

ADMINISTRATION BUILDING OPENING HOURS:

Monday - Friday 9.00am - 5.00pm

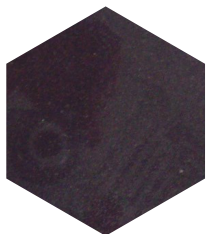


Lawn Cemetery Plinths & Vases



www.narrabri.nsw.gov.au

Plinth Colour Options



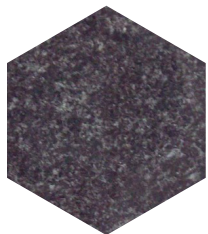
Black Granite



Light Grey Granite



Concrete Blue
Kilimanjaro



Dark Grey Granite

Price List (inc GST) 2023 / 2024

	SECTIONS 1 - 5	SECTIONS 7 & 8
Black Granite	\$1,085.00	\$733.00
Dark Grey Granite	\$1,035.00	\$702.00
Light Grey Granite	\$630.00	\$509.52
Concrete	\$255.00	-
Gold Vase	\$26.50	\$26.50
Silver Vase	\$26.50	\$26.50
Black Vase	\$26.50	\$26.50

Vase Options



Gold



Black



Silver

You can collect an application form from Council's Administration Building or through your funeral director. Name plaques to be placed on the plinths are not supplied by Council, you will have to purchase it through a funeral director or foundry of your choice.

The samples are available for viewing at the Narrabri Shire Council Administration Building.

